

Solar Inverters

for grid-tied PV Systems

Features **X**-Generation

- High efficient, transformerless design
- Grid monitoring according to VDE 0126-1-1
- Compact metal casing
- Fanless
- Enhanced DC input voltage range
- Further improved efficiency
- Internal GFCI (30mA)



Specification

| Model | | Sunville® 1500x | Sunville® 2000x | Sunville® 2800x | Sunville® 4000x | Sunville® 4000Ax |
|---|---------------|--------------------------------|---------------------------|----------------------|----------------------|----------------------|
| Nominal output power | $P_{AC, nom}$ | 1500W | 2000W | 2800W | 4000W | 4000W |
| Max. output power | $P_{AC, max}$ | 1650W | 2200W | 3000W | 4400W | 4400W |
| Input | | | | | | |
| Nominal DC voltage | $V_{PV, nom}$ | 360 V _{DC} | 400 V _{DC} | | | |
| Max. DC voltage | $V_{PV, max}$ | 450 V _{DC} | 500 V _{DC} | | | |
| MPPT range | V_{MPP} | 150 ~ 405 V _{DC} | 150 ~ 450 V _{DC} | | | |
| Full rating MPPT range | $V_{MPP, fr}$ | 200 ~ 405 V _{DC} | 250 ~ 450 V _{DC} | | | |
| Working range | $V_{PV, op}$ | 100 ~ 450 V _{DC} | 100 ~ 500 V _{DC} | | | |
| Max. input current | $I_{PV, max}$ | 8.9 A _{DC} | 10 A _{DC} | 13 A _{DC} | 20 A _{DC} | 20 A _{DC} |
| Output | | | | | | |
| Nominal AC voltage | $V_{AC, nom}$ | 192 ~ 256 V _{AC} | | | | |
| Nominal output current | $I_{AC, nom}$ | 6.6 A _{AC} | 8.7 A _{AC} | 12.2 A _{AC} | 17.4 A _{AC} | 17.4 A _{AC} |
| Max. output current | $I_{AC, max}$ | 7.9 A _{AC} | 10.5 A _{AC} | 14.3 A _{AC} | 20.0 A _{AC} | 20.0 A _{AC} |
| AC grid frequency | f_{AC} | 50 Hz | | | | |
| Harmonic distortion | THD | < 3 % | | | | |
| Power factor | PF | ~1 | | | | |
| Max. efficiency | η_{max} | 95 % | | | | 96 % |
| Euro efficiency | η_{Euro} | 94 % | | | | 95 % |
| General data | | | | | | |
| Protection rating in accordance with DIN EN 60529 | | IP43 | IP43 | IP43 | IP43 | IP65 |
| Operating temperature range | T_{op} | -20°C ~ +55°C | | | | |
| Relative humidity | ϕ | 0~95%, non-condensing | | | | |
| Cooling concept | | Convection | | | | |
| Operating consumption | P_{int} | ~ 7W | | | | |
| Noise emission | L | < 35 dBA | | | | |
| Grid monitoring | | According to VDE 0126-1-1 | | | | |
| Communication | | | | | | |
| Display (LCD) | | 1 line, 16 characters | | | | |
| Communication interface | | Standard RS232, optional RS485 | | | | |
| F/W upgrade | | yes, via RS232 | | | | |
| Mechanical data | | | | | | |
| Dimensions (mm) | HxWxD | 269x315x120 | 302x350x120 | 302x350x136 | 366x424x120 | 386x434x135 |
| Weight (kg) | m | 9.2 | 11.5 | 12.5 | 16.4 | 19.5 |

* This product's specification are subject to change without notice



Sunville® 1500x



Sunville® 2000x



Sunville® 2800x

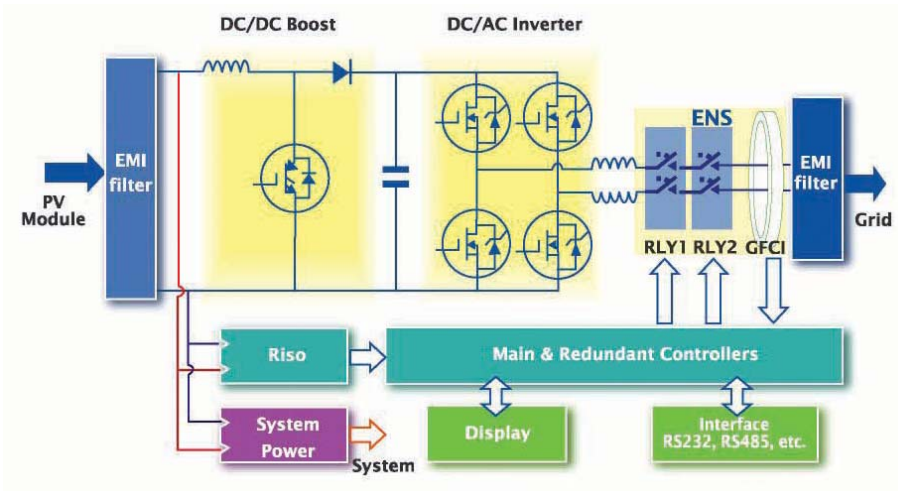


Sunville® 4000x

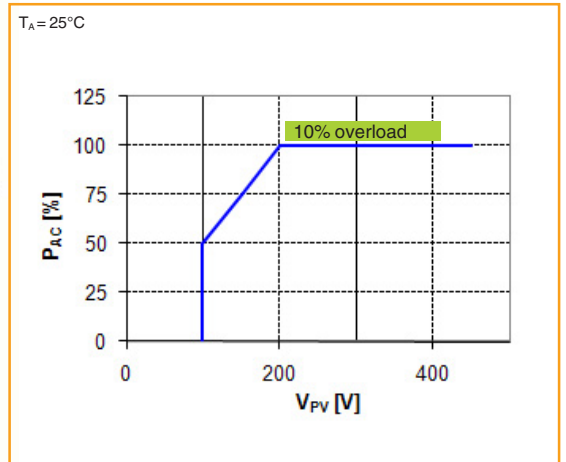


Sunville® 4000Ax

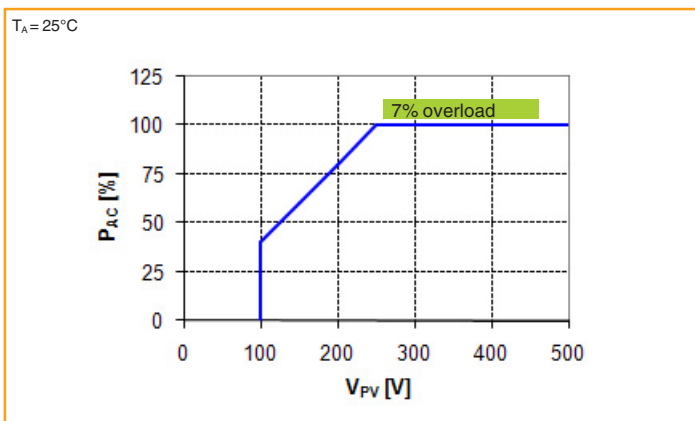
Sunville[®] 1500x, 2000x, 2800x, 4000x und 4000Ax



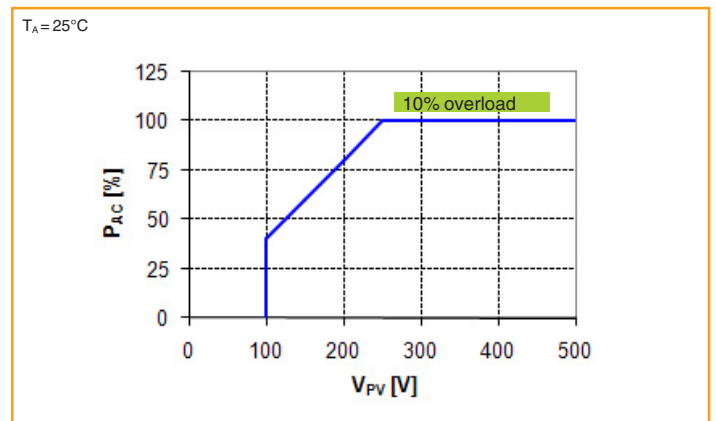
Topology of the transformerless inverters



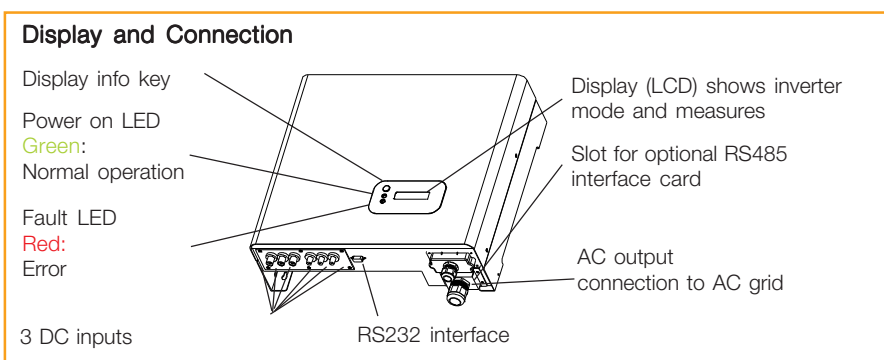
AC output power in relation to DC input voltage for SV1500x



AC output power in relation to DC input voltage for SV2800x



AC output power in relation to DC input voltage for SV2000x, SV4000x, SV4000Ax



Sunville[®] 4000Ax

Sales & Service in Central Europe



An der Kreuzheck 16
D-61479 Glashütten
Tel. -49-6174-209 289
Fax -49-6174-21 186
E-mail info@suntension.de
www.suntension.com